

### Features

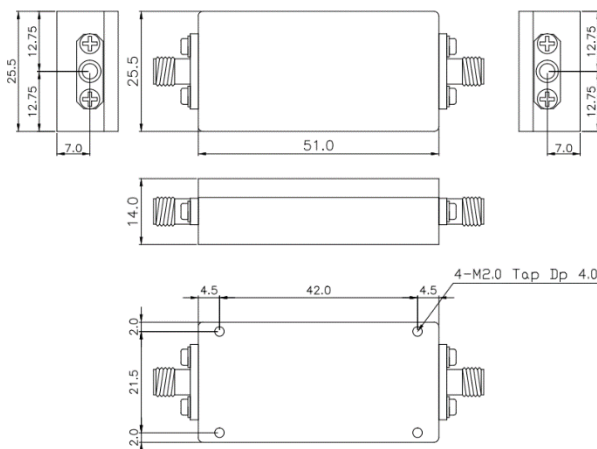
- Wide Band Cavity Band Pass Filter (28.2%)
- Very compact size and low weight
- Typical 0.3 dB Insertion Loss



### Specifications

Parameter	Specifications	Remarks
Frequency Range	7,000 ~ 9,300 MHz	
Center Frequency	8,150 MHz	
Bandwidth	2,300 MHz	
Insertion Loss (Max.)	0.5 dB	
Pass Band Ripple (Max.)	0.3 dB	
Return Loss (Min.)	11.7 dB Min. (1.7:1 VSWR)	
Rejection (Min.)	47 dBc @ 4,000 MHz	
	52 dBc @ 11,800 ~ 18,000 MHz	
In/ Out Impedance	50 Ω	
Handling Power (Max.)	CW 1 W	
Temperature Range	-20 ~ +85 °C	
Dimensions	25.5 * 51.0 * 14.0 mm	Excluding Connectors
Connector	SMA (Female)	

### Outline drawing



### Typical Response

